



# Parts Certificate

Certificate for a part of a measuring system for LOTW  
No. SC0257-15

## Forecourt controller, PSS 5000

### Issued to

Doms ApS, Formervangen 28, DK-2800 Glostrup, Denmark.

### In respect of (part of instrument)

Forecourt controller and memory device, a purely digital self-service device (SSD) intended for use with fuel dispensers for motor vehicles and point of sales systems.

### Characteristics/rated operating conditions

The evaluated part of a measuring system for LOTW (Liquids other than water) is a self service device for direct sales, interruptible, attended pre-payment and post-payment including sale stacking, unattended delayed payment and pre-payment. It may include a memory device (for LAM 1.xx).

Accuracy class                      0,5 or higher

### In accordance with

- WELMEC Guide 8.8, Issue 2 "General and Administrative Aspects of the Voluntary System of Modular Evaluation of Measuring instruments under the MID",
- WELMEC Guide 10.7, Issue 1 "Guide on evaluating purely digital self-service devices (PDSSD) for sales to the public" and
- WELMEC Guide 7.2, Issue 5 "Software Guide".

This Parts Certificate is the positive result of the applied modular approach under these WELMEC Guides, for a part of a measuring system for the continuous and dynamic measurement of quantities of liquids other than water.

This is not a MID Certificate (EU-Type examination certificate according to 2014/32/EU), but the MID requirements have been applied. The complete measuring system shall be subject to a conformity assessment procedure as described in MID.

This Parts Certificate is free to use by manufacturers of complete measuring instruments.

### Applicable essential requirements according to MID 2014/32/EU

- MID, Annex I,                      Essential requirements
- MID, Annex MI-005,              Measuring systems for the continuous and dynamic measurement of quantities of liquids other than water (LOTW)

### Harmonised standards and normative documents used

Applicable parts of the following normative documents referred to in the Official Journal of the European Union 2011/C33/01:

- OIML R 117-1 Edition 2007 (E), Dynamic measuring systems for liquids, other than water



1002  
ISO/IEC 17065

Certificate issued by an Accredited Certification Body - date of issue 3: 2016-09-16 Page 1 (2)

### SP Technical Research Institute of Sweden

Postal address      Phone / Fax      Reg. number      E-mail / Internet  
SP, Box 857            +46 10 516 50 00      556464-6874      info@sp.se  
SE-501 15 Borås      +46 33 13 55 02                                      www.sp.se  
SWEDEN

Signed by SP:

Swedish accredited certification bodies are appointed by SWEDAC, the Swedish Board for Accreditation and Conformity Assessment, under the terms of the Act. This certificate may not be reproduced other than in full, except with the prior written approval by SP.                                      5P07853



# Parts Certificate

Certificate for a part of a measuring system for LOTW  
No. SC0257-15

## Further applied documents

- The Measuring Instruments Regulation, STAFS 2016:1
- Regulations and Guidelines concerning Measuring Systems for the Continuous and Dynamic Measurement of Quantities other than Water, STAFS 2016:6
- SP's Certification Rules SPCR 181

## Validity

Valid until March 31, 2025.

## Miscellaneous

This certificate is an extended issue and replaces earlier issues. The first version of this certificate was issued 2015-03-31.

*The principal characteristics, approval conditions are set out in the appendix hereto, which forms part of the approval document. All the plans, schematic diagrams and documentations are recorded under reference file 5P00126 and 5P07853. The evaluation report 5P00126-1 has been issued in accordance with WELMEC Guide 8.8, Voluntary system of Modular Evaluation.*

Borås 2016-09-16

## SP Technical Research Institute of Sweden Certification

Lennart Aronsson  
Product Certification Manager

Kerstin Mattiasson  
Certification Officer



1002  
ISO/IEC 17065

Certificate issued by an Accredited Certification Body - date of issue 3: 2016-09-16 Page 2 (2)

### SP Technical Research Institute of Sweden

Postal address	Phone / Fax	Reg. number	E-mail / Internet
SP, Box 857	+46 10 516 50 00	556464-6874	info@sp.se
SE-501 15 Borås	+46 33 13 55 02		www.sp.se
SWEDEN			

Signed by SP:

Swedish accredited certification bodies are appointed by SWEDAC, the Swedish Board for Accreditation and Conformity Assessment, under the terms of the Act. This certificate may not be reproduced other than in full, except with the prior written approval by SP.

5P07853

# Parts Certificate

Certificate for a part of a measuring system for LOTW  
No. SC0257-15 Appendix

## 0 Conditions

The use of this Parts Certificate is limited to:

Combination with other parts of a measuring system (e.g. fuel dispenser and POS) under the following conditions:

- One of the communication protocols defined in this certificate is used
- The other parts of the measuring system having an EC-type examination certificate, Evaluation Certificate or Parts Certificate covering compatibility with the communication protocol used or
- The other parts of the measuring system having a National Type approval covering compatibility with the communication protocol used

Other parties are free to use this PC.

The device must correspond with the following specifications:

## 1 Design of the device

### 1.1 Construction

#### Forecourt controller description

PSS 5000 is a part of a self service arrangement. PSS 5000 can support external POS or OPT systems running the following service mode and type of payment:

	<b>Attended post-payment</b>	<b>Attended pre-payment</b>	<b>Unattended delayed-payment</b>	<b>Unattended pre-payment</b>
Included	yes	yes	yes	yes

The forecourt controller is a self service device for direct sales, in an interruptible measuring system. It includes a memory device, also used for sales stacking (see 1.2 for details of which LAM that supports this).

PSS 5000 is a forecourt controller that is connected to a Point of Sales (POS/OPT) system for handling authorization and settling of transactions from fuel dispensers. It also handles authorization for a pre-set volume/price, sales stacking and stores transaction for long term storage (see 1.2 for details of which LAM that supports this). Transaction data to the POS is protected by an authentication code and a checksum. The POS has to check that the authentication code and checksum for the transaction is valid before further processing for payment, including printing a receipt.

# Parts Certificate

Certificate for a part of a measuring system for LOTW  
 No. SC0257-15 Appendix

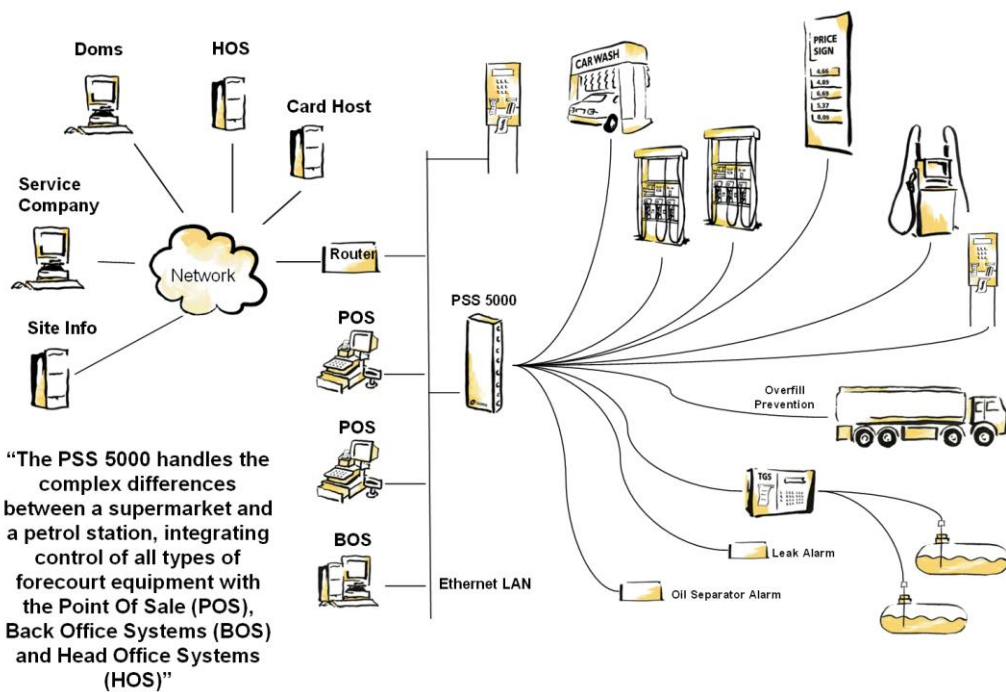
The PSS 5000 system is a modular system with the following main components.

- a Cabinet (Standard or Compact) with power supply
- a CPU board with either 8 or 4 serial ports, an Ethernet port and an optional LON port
- a number of Hardware Interface Modules (HIM), which convert the electrical signal between the serial ports and the devices. Many such modules exist for interfacing to various forecourt devices, which often have their own proprietary electrical interface.
- Cables for connecting the Hardware Interface Modules to the ports on the CPU board.

A Base System comprises a Cabinet, CPU board and PSU. To this a number of HIMs, which match the external devices, are added to complete the Forecourt Controller.

The PSS 5000 is a system component dedicated to control forecourt operation and provide data flow between the forecourt devices (primarily the pumps) and the Point Of Sale (POS) System or Outdoor Payment Terminals (OPTs) using a POS protocol. POS terminal and OPTs are isolated from communication with the forecourt equipment (e.g. the pumps).

The Forecourt Controller transports data (prices and sales/preset limits) from the POS systems or OPTs to the pumps, and sales data (transactions) from the pumps in the other direction. During the operation, the data is temporarily stored in the Forecourt Controller, but the controller does not participate in the measuring process, which is handled solely by the pumps.



# Parts Certificate

Certificate for a part of a measuring system for LOTW  
 No. SC0257-15 Appendix

### Attended Self-Service

For attended sale, the POS system provides an operator interface, which allows an operator to monitor the status of the pumps and control authorization and transaction processing. It is the responsibility of the Forecourt Controller to store and deliver the transactions to the POS. PSS also provides a short term storage and readout of the recent transactions on the PSS Local Service Panel and a PSS Web Page. If the PSS is informed that the "primary indicator" in the POS is not working, the PSS will not store transactions. So, transactions must be paid and cleared before a new transaction can be started on a specific pump.

### Unattended Self Service

For unattended transactions, the authorization and transaction process is performed automatically by the OPT. Besides the responsibility to ensure safe transport of transaction data to the transaction processing device as for attended transactions, the PSS 5000 Forecourt Controller can have the possibility to maintain a transaction log for the unattended transactions (long term storage, for LAM 1.xx). The PSS 5000 can be equipped with a separate flash memory module for storing this transaction log data over a certain period of time. This log can be read via the PSS Local Service Panel and a PSS Web Page.



PSS 5000 Standard (with CPB509)

**SP Technical Research Institute of Sweden**

<i>Postal address</i>	<i>Phone / Fax</i>	<i>Reg. number</i>	<i>E-mail / Internet</i>
SP, Box 857	+46 10 516 50 00	556464-6874	info@sp.se
SE-501 15 Borås	+46 33 13 55 02		www.sp.se
SWEDEN			

Signed by SP:  
 Swedish accredited certification bodies are appointed by SWEDAC , the Swedish Board for Accreditation and Conformity Assessment, under the terms of the Act. This certificate may not be reproduced other than in full, except with the prior written approval by SP. 5P07853

# Parts Certificate

Certificate for a part of a measuring system for LOTW  
No. SC0257-15 Appendix

## 1.2 Components included

The hardware of the self-service device should comply with the EMC-directive and other applicable directives as specified in the Declaration of Conformity of the self-service device.

Main computer	Doms CPB 505 (4 serial ports) or Doms CPB 505-2 (4 serial ports) or Doms CPB 508 (8 serial ports) or Doms CPB 509 (8 serial ports) or Doms CPB 539 (8 serial ports)
Operating system	CPB50x: Proprietary and included in Application and Boot CPB539: Linux
BOOT and Manager software	For CPB50x: 499-03-1.00 or 499-04-1.00 or later version for LAM vers 1xx 499-03-1.15 or 499-04-1.06 or later version for LAM vers 2xx  For CPB539: 469-01-1.00 or later version for LAM version 1xx and 2xx  <b>Board specific</b> start-up software with LAM and Application upload functionality (including non-erasable upload log) and LAM specific interface routines
LAM (Legal Authority Module)	<b>Country specific</b> module with legally relevant routines and parameters for BOOT and Application software.
Application software	<b>Customer specific</b> software such as 410-35-1.41 supporting long term storage (if covered by specific LAM version) or 411-38-1.40 with sales stacking (if covered by specific LAM version) or other versions with equivalent functionality regarding applicable technical requirement according to WELMEC Guide 10.7 Annex A
Hardware Interface Module, HIM	Doms DSBxxx or DMBxxx
Cabinet	PSS 5000 Standard or PSS 5000 Compact



# Parts Certificate

Certificate for a part of a measuring system for LOTW  
No. SC0257-15 Appendix

## Software specification according to WG 7.2:

Software type P  
Risk class C  
Extension L, T, S, D

## List of legally relevant software modules

### LAM Version 1xx for CPB50x

SW name and country	Short term storage	Long term storage	Checksum	MD5
Austria 498-14-1.02	Yes	No	B707	8EF388A5B1E423F5975EB565BAB5AD74
France 498-10-1-02	No	Yes	DCDE	FC5950DCCC9FA82C5F5CBC9A6DF4ACFF
Germany 498-07-1.02	Yes	No	0C1B	8D0B0641EC9D91BE39167E838E227DB9
Italy 498-13-1.50	Yes	No	B87F	482B5533E8D05B5281592BBDB3D6A18B
Netherlands 498-08-1.01	Yes	No	2F62	6D8F48D1094EAA804C42BF8E98A7EA29
Switzerland 498-15-1.01	No	Yes	B5A1	2317433E6F0B3D058F5C4E00305B1DCA
UK 498-06-1.01	Yes	No	084C	F893D5C2106FB0C0E13E173A2D6F57A7

### SP Technical Research Institute of Sweden

Postal address Phone / Fax Reg. number E-mail / Internet  
SP, Box 857 +46 10 516 50 00 556464-6874 info@sp.se  
SE-501 15 Borås +46 33 13 55 02 www.sp.se  
SWEDEN

Signed by SP:

Swedish accredited certification bodies are appointed by SWEDAC, the Swedish Board for Accreditation and Conformity Assessment, under the terms of the Act. This certificate may not be reproduced other than in full, except with the prior written approval by SP. 5P07853

# Parts Certificate

Certificate for a part of a measuring system for LOTW

No. SC0257-15 Appendix

## LAM version 2xx for CPB50x

Country	SW name	Short term storage	Long term storage	Check-sum	MD5
Austria	498-14-2.00	Yes	No	6F00	28F0462B7659637AE3B39E85D31DF748
Austria	498-14-2.01	Yes	No	0D61	5A39F3A448EAE2378A34EF6B317BD195
Belgium	498-09-2.00	Yes	No	0D2F	6DB2BB1EAEA326DCFD64189C9D84E9CB
Bosnia and Herzegovina	498-45-2.00	Yes	No	FCF8	DDD35998B9980E289C4D210DC4679F34
Bulgaria	498-24-2.00	Yes	No	0D7C	FB4FF40395CA9E67A6E918863A7BF237
Croatia	498-19-2.00	Yes	No	FD22	6CDC1EE65EAEF3E16ABC9722A9DA5340
Cyprus	498-33-2.00	Yes	No	0CF0	B81546561996C2DEBAB55FFE8580E964
Czech Republic	498-23-2.00	Yes	No	FC9B	688F36D996ACB5375FC0F18E60B38121
Denmark	498-01-2.00	Yes	No	FCA7	A495D1B58862810291DB3A5B59F2AED4
Estonia	498-30-2.00	Yes	No	0D35	E604CD960B9F82FD83A2A7288204BA
Finland	498-04-2.00	Yes	No	0C8F	82060A091A5DE9B02E8DF971EFBE83C
France	498-10-2.00	Yes	No	F11C	C5FEC53486BFD6B0C2B7A288E8ECC2CB
Germany	498-07-2.00	Yes	No	6F0B	589D03623C9D56A5432EF7490FDC94B8
Germany	498-07-2.01	Yes	No	0D6C	A126EF89F08369EBF6C5B0637D9E7B5E
Greece	498-16-2.00	Yes	No	0D26	BC47C355B60F3FC1788905AA52E9F17B
Hungary	498-17-2.00	Yes	No	0D23	8B17990270789984D3FE11C8C27BB5A3
Iceland	498-05-2.00	Yes	No	FC4A	7ACE985CA61261BC5DE7923D148FA98A
Ireland	498-35-2.00	Yes	No	0CCC	1C41F56A6521574FDAEF3BB75BDC93EA
Italy	498-13-2.00	Yes	No	0D61	9825CF0D2B6C28A05DEE45509F9E9BC7
Latvia	498-31-2.00	Yes	No	0D78	8FFC1ED6CE267FB8E1FA8AC50546BFEC
Lithuania	498-32-2.00	Yes	No	0D6D	1395CB8826184728C953BEC4BFA4DCA9
Luxemburg	498-83-2.00	Yes	No	6FDB	55EC04940DED2E9FEE19FFB36C6A5BD7
Luxemburg	498-83-2.01	Yes	No	0D37	E4A2EA163EE9EE2733F032A48841B3E6
Macedonia	498-67-2.00	Yes	No	0DAA	F45EC823498DED2A91AA0800469C7837
Netherlands	498-08-2.00	Yes	No	6ECE	DC5A4A6C3FD4DFB0562605ABCCF2E274
Netherlands	498-08-2.01	Yes	No	0D2F	B6D136BA16E08D774C7EF81DC2A31713
Norway	498-02-2.00	Yes	No	FD18	B7A53D07BC6F4C709F78E0C5F271F04A
Poland	498-25-2.00	Yes	No	EB1F	59FC0291FEE1BA002FA0D6BA6001409F
Portugal	498-12-2.00	Yes	No	0CD9	9566B8BC51D5A3344B83B8DF9AAB2C10
Romania	498-20-2.00	Yes	No	0D98	B3DEC5F9B456C74DBA625BD468E20DF0
Serbia and Montenegro	498-44-2.00	Yes	No	FD47	3263AB845633ECA8A808B6915347F67
Slovakia	498-21-2.00	Yes	No	0D15	C3FAC2DAB8B8537C8F3BB90C22C625A0
Slovenia	498-43-2.00	Yes	No	0DD4	EEA98F3BFE35C0D636F0F15F0A5B0BFF
Spain	498-11-2.00	Yes	No	0D3F	E16AE5A78726FC4634412B46850353D5
Spain	498-11-2.01	Yes	No	CEC2	48A98FC62AF30EAAD5733A7E069E1DD2
Sweden	498-03-2.00	Yes	No	FD19	8753524FC9F245A31B1B2BF1F3CD8CC7
Switzerland	498-15-2.00	Yes	No	7030	168B818A60042F86FD79D9B10776E700
Switzerland	498-15-2.01	Yes	No	FC98	9F872DB60556AA5B8A9004C39BE0B0DC
Turkey	498-18-2.00	Yes	No	0E1F	F66364BCCE32B86FB1A76B0843956AA0
UK	498-06-2.00	Yes	No	FBD5	B6E6F17650EEF52A1C254F627519F278



# Parts Certificate

Certificate for a part of a measuring system for LOTW

No. SC0257-15 Appendix

## LAM Version 1xx for CPB539

Country	SW name	Short term storage	Long term storage	Check-sum	MD5
France	468-10-1.00	No	Yes	0B3D	353E519AA12D01133C4DA3F9CF89B589
Switzerland	468-15-1.00	No	Yes	A41F	09F6F71C06CB9CDD4E0D6FC2ACAA56DD

## LAM version 2xx for CPB539

Country	SW name	Short term storage	Long term storage	Check-sum	MD5
Austria	468-14-2.00	Yes	No	1BE5	C6CFA382AB2345D5CD25C5166E860800
Belgium	468-09-2.00	Yes	No	801A	6FD3527F3956550E15B12532C078C756
Bosnia and Herzegovina	468-45-2.00	Yes	No	E07A	88AF4AAD63C42A46E0D4A367AA57848A
Bulgaria	468-24-2.00	Yes	No	BECD	929F6EEBB820884AB6CF33FBDD71914C
Croatia	468-19-2.00	Yes	No	58E6	385A5BCB2F0BBB6EBA41C6158AA0AAF1
Cyprus	468-33-2.00	Yes	No	6C06	D4E7C82DBC91A4BCC15A204C10485DE5
Czech Rep	468-23-2.00	Yes	No	521F	AEEF17EB60C7C9F5C736AFD90518A765
Denmark	468-01-2.00	Yes	No	1B4F	547EEB4CCD0C00ED9A2122E911AEC8FF
Estonia	468-30-2.00	Yes	No	DC7D	3AB442E99A24DE651545DF2C095E70A8
Finland	468-04-2.00	Yes	No	6646	A1B6685D5DA8BDEC28429F9329FDCE86
France	468-10-2.00	Yes	No	F648	6794EB91201C218883073875C5380679
Germany	468-07-2.00	Yes	No	BC85	A8A83DD5DA28EB8AC1405EC336B7BBFE
Greece	468-16-2.00	Yes	No	1678	E0DEAC809F41E5DF77AA59DC2536BB86
Hungary	468-17-2.00	Yes	No	704D	FD740D4160D0B6DF64F47C38A33460F1
Iceland	468-05-2.00	Yes	No	E36B	57262C012CA2AD3744696DC1668EB1AC
Ireland	468-35-2.00	Yes	No	55BF	2379B530C511D4B0CB109D20C067D537
Italy	468-13-2.00	Yes	No	5056	9A58B397325FF26AC30AA67F146D5810
Latvia	468-31-2.00	Yes	No	0F2B	6868C10031E20DF98690BE1A12D39889
Lithuania	468-32-2.00	Yes	No	EDDF	AA04E2BB64FDD8B3187F71087ED55F5C7
Luxemburg	468-83-2.00	Yes	No	FFEB	707A49FD5DFE108945D0AF62F46ECDDE
Macedonia	468-67-2.00	Yes	No	CBBB	CB74A40D3D541694D63D19DBD29C0EDF
Netherlands	468-08-2.00	Yes	No	10D9	C01BCB7EC5E42F89B614FEB996A21B0E
Norway	468-02-2.00	Yes	No	5861	24E2B554FDC2D587A71E4A839B6F8FE0
Poland	468-25-2.00	Yes	No	AF4C	A90EBBB755368F841D36D04D55860717
Portugal	468-12-2.00	Yes	No	3FC9	7149827804F6AE8FB507F44496D53E07
Romania	468-20-2.00	Yes	No	9AD2	6EE8769C654A81EF7B6BC29658B96BE4
Serbia and Montenegro	468-44-2.00	Yes	No	BF7D	1DCB3CA0C91C3EEF1BF7CCF66B49C400
Slovakia	468-21-2.00	Yes	No	7C9F	261C668A1B4B1F1E9C0682DCA781AD2F
Slovenia	468-43-2.00	Yes	No	7E25	EBFD50B4667BD3079C6B200F7E818941
Spain	468-11-2.00	Yes	No	22C9	C0060469E7C75A978C7E67CDE16A80AF
Sweden	468-03-2.00	Yes	No	63E0	0B98F83A48691B2EAEAF79A5E27164C9
Switzerland	468-15-2.00	Yes	No	C419	76B3DAF6C4FA0A370618ACAA5502CDB6
Turkey	468-18-2.00	Yes	No	E19E	01A825247C8C646650760415506E24D8
UK	468-06-2.00	Yes	No	364B	8420D25FDA430D523EEF28E098A30F6F

# Parts Certificate

Certificate for a part of a measuring system for LOTW  
No. SC0257-15 Appendix

---

## 1.3 Optional equipment and functions subject to MID requirements

Not applicable.

## 1.4 Technical documentation

For market surveillance the construction and included components are described in 1.1 and 1.2. The metrological software is identified by the checksum, which can be accessed according to 5.3.

## 1.5 Integrated equipment and functions not subject to MID

Other equipment may be connected to PSS 5000 (without change of this certificate), such as:

- price poles
- alarms
- tank level systems

## 2 Technical data

### 2.1 Rated operating conditions

Forecourt controller intended for use with fuel dispensers for motor vehicles and POS/OPT. Self service device for direct sales, interruptible, attended pre-payment and post-payment including sale stacking, unattended delayed payment and pre-payment, as covered by specific LAM versions (e.g. if support of memory devices is included). It may include a memory device (only for LAM 1.xx).

#### Measurement range

Scale interval, memorized volume	same as dispenser, but not smaller than 0,01 l
Scale interval, memorized price	same as dispenser, but not smaller than 0,01 "PRICE"

#### Accuracy class of measuring system

0,5 or higher.

### 2.2 Other operating conditions

Not applicable.

## 3 Interfaces and compatibility conditions

The SSD with the communication protocols as stated in the table below was tested/examined and found in compliance with WGs 8.8, 10.7 and 7.2.

Interface for communication with dispensers is protocol specific as per device certification and protocol scanner implemented in specific PSS LAM version.

The protocol name used when listing LAM protocol scanners are Doms names. Manufacturer protocol names or document names used for interface developments are listed in Doms protocol specific documentation (Protocol Interface Notes).

# Parts Certificate

Certificate for a part of a measuring system for LOTW

No. SC0257-15 Appendix

Communication with other parts of a measuring system (fuel dispenser) using one of the following protocols. The Protocol Interface Notes listed (or newer revisions) contains information about the documentation as provided by the manufacturer and are used for implementing the protocols.

Pump communication protocol	Protocol Interface Notes
ADASTEASYCALL	DPP_ITNO_Pump_ADASt_Easycall-802946-01.pdf
AUTOCOURT	BPP_ITNO_Pump_WayneAutocourt-Ferranti-800469-02.pdf
AUTOTANK ATCL	DPP_ITNO_Pump_AutoTank_ATCL-800089-07.pdf
BENNETT	DPP_ITNO_Pump_Bennett_Protocol-804878-00.pdf
BP	DPP_ITNO_Pump_BP-802302-02.pdf
CETIL	DPP_ITNO_PUMP_Cetil_EAS1-804325-01.pdf
DOMS PUMP	DPP_ITNO_Pump_BP-802302-02.pdf
DONGHWA	DPP_ITNO_Pump_Dong-Hwa_Prime-804471-01.pdf
DROHERCL	DPP_ITNO_Pump_DroherCurrentLoop-804286-01.pdf
DUNCLARE	DPP_ITNO_Pump_Dunclare_Vers_5-6-800349-02.pdf
Eedac	DPP_ITNO_Pump_Eedac-803181-01.pdf
EIN	DPP_ITNO_Pump_EIN-802165-06.pdf
ELREM	DPP_ITNO_Pump_Elrem_Tank2000_Protocol-805429-00.pdf
EMR3	DPP_ITNO_Pump_EMR3-805536-02.pdf
GASCOMM	DPP_ITNO_pu_Autotank_Gascomm_Protocol-804790-00.pdf
GC21XP	DPP_ITNO_PU_GC21XP_Protocol-804848-02.pdf
GILBARCO 2W	DPP_ITNO_Pump_Gilbarco_2wire-800090-14.pdf
IFSF	DPP_ITNO_Pump_IFSF_Protocol-800555-16.pdf
KOPPENSP3/5	DPP_ITNO_Pump_Koppens_ESP-3-5-800350-04.pdf
LOGITRON	DPP_ITNO_Pump_Logitron_Pumalan-802652-07.pdf
MKSER3/2	DPP_ITNO_Pump_MKS_ER3-2-800413-07.pdf
MMPetro	DPP_ITNO_Pump_MMPetro-805248-02.pdf
NOVOTEC	DPP_ITNO_Pump_Novotec-804991-01.pdf
NUOVOPIGNONE	DPP_ITNO_Pump_NuovoPignone-800352-08.pdf
PETROTECCEM03	DPP_ITNO_Pump_PetroTec_CEM03-803352-02.pdf
RongXing	DPP_ITNO_Pump_RongXing-804095-01.pdf
S&BT02	DPP_ITNO_Pump_Scheidt&Bachmann_T02-800410-02.pdf
S&BT10/T20	DPP_ITNO_Pump_S&B_T10-800337-07.pdf
SATAM008	DPP_ITNO_Pump_Satam_008-800550-02.pdf
SATAM82D	DPP_ITNO_Pump_Satam_82D-800351-03.pdf
SCHLUMB. IVPE	DPP_ITNO_Pump_Schlumberger_IVPE_M3000-802295-01.pdf
SCHWELM	DPP_ITNO_Pump_Schwelm_ZSR83-800188-02.pdf
SEETAX-MM	DPP_ITNO_Pump_Seetax_MM-804928-02.pdf
SEETAX-TK	DPP_ITNO_Pump_Seetax-TK-800682-02.pdf
TATSUNO/DOMS	DPP_ITNO_Pump_Tatsuno_Doms-MPI-800336-01.pdf
TATSUNOBENCPDEX	DPP_ITNO_Pump_TatsunoBenc_PDEX-804784-04.pdf
TOKHEIM	DPP_ITNO_Pump_Tokheim-800656-09.pdf
WAYNE CL	DPP_ITNO_Pump_Wayne_Europe_CL-800091-03.pdf
WAYNEDART	DPP_ITNO_Pump_Wayne_DART-800735-09.pdf
WAYNESC82/SC86	DPP_ITNO_Pump_Dresser_Wayne_SC82-800654-05.pdf



# Parts Certificate

Certificate for a part of a measuring system for LOTW  
No. SC0257-15 Appendix

If the POS or OPT use transaction data from the PSS for legally relevant purposes, the communication from PSS to POS /OPT must be via a protocol (e.g. Doms POS Protocol) which can transport the security telegram from PSS LAM to POS/OPT.

The security telegram enables the POS or OPT to verify that a transaction is an authentic PSS created transaction, and without this verification the POS or OPT cannot use transaction data from PSS for legally relevant purposes.

The forecourt controller may only be used in a measuring system with:

- all volume and price indicating and printing devices having the same scale interval as defined by actual PSS LAM.
- LAM versions 2.xx support use of pumps with different scale intervals

## POS and OPT responsibilities

### General Responsibilities

It is the responsibility of the connected POS system to display the status information presented by the PSS Forecourt Controller to the operator, so actions can be taken when system errors occur. POS and OPT to present the transactions with the scale interval according to PSS LAM.

### Attended Service

In configurations where the POS system provides the "primary indicator" (e.g. a receipt printer), the POS system must at certain intervals check the device and send the result to the PSS 5000 Forecourt Controller. If a necessary "primary indicator" is not working, the PSS will no longer store transactions on the transaction stack.

The PSS provides transaction information (security telegram) with authentication codes, which the POS or OPT must check before presenting the data as trusted data to the customer.

### Unattended Service

For unattended service, an OPT will be responsible for providing the customer with the receipt and inform the customer if receipts are not available. The OPT must authorize using the appropriate authorization message. The transaction received from the PSS will contain a PSS Receipt Number (Transaction Log Sequence Number), which must be included on the customers receipt as reference to the PSS Transaction Log.

#### SP Technical Research Institute of Sweden

Postal address	Phone / Fax	Reg.number	E-mail / Internet
SP, Box 857	+46 10 516 50 00	556464-6874	info@sp.se
SE-501 15 Borås	+46 33 13 55 02		www.sp.se
SWEDEN			

Signed by SP:

Swedish accredited certification bodies are appointed by SWEDAC, the Swedish Board for Accreditation and Conformity Assessment, under the terms of the Act. This certificate may not be reproduced other than in full, except with the prior written approval by SP. 5P07853

# Parts Certificate

Certificate for a part of a measuring system for LOTW  
No. SC0257-15 Appendix

---

## 4 Requirements on production, putting into use and utilisation

### 4.1 Requirements on production

No special requirements identified.

### 4.2 Requirements on putting into use

Before the board is sealed the LAM must contain configuration of pumps using non-default scale intervals. Default scale intervals are hardcoded in each LAM. If information about the site equipment (pumps) is available prior to the installation, e.g. that all pumps use default scale intervals as defined in PSS LAM, the board can be sealed prior to installation.

During installation it must be verified for each pump, that the scale interval on each devices matches the read-out on PSS Web and on POS/OPT devices. If the verification fails, the PSS must be reconfigured with new LAM configuration. This requires removal of the sealing plug during configuration, and a new seal-sticker after the seal-plug has been re-installed and the scale intervals verified.

See "Quick Guide for W&M Officers" for details.

### 4.3 Requirements for consistent utilisations

No special requirements identified.

## 5 Control of the measuring tasks of the device in use

### 5.1 Documentation of the procedure

No special requirements identified.

### 5.2 Special equipment or software, if applicable

No special requirements identified.

### 5.3 Identification of

- Hardware

The construction and included components are described in 1.1 and 1.2.

- Software

The legally software of PSS 5000 is identified by a unique checksum (see 1.2). When the "Idle menu" is shown on the Local Service Panel display, press ↓ to move to the "LAM VERSION W.1" menu. Then press → to move to the "LAM VERS. CHKSUM" to view the LAM version and checksum.

### 5.4 Calibration-/adjustment procedure

Not applicable.

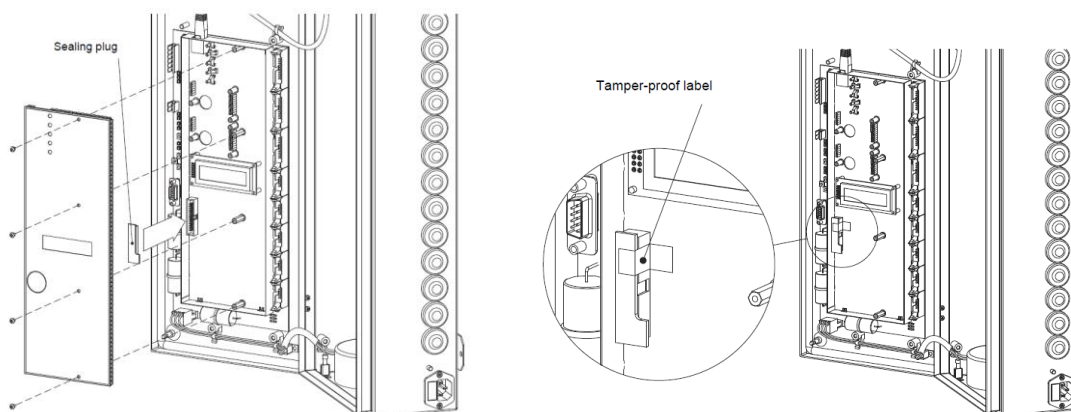
# Parts Certificate

Certificate for a part of a measuring system for LOTW  
No. SC0257-15 Appendix

## 6 Security measures

### 6.1 a Sealing of Systems with CPB50x

The forecourt controller is sealed. The seal has to be broken before LAM can be uploaded or the BOOT changed.



#### Sealing:

1. Open the door on the PSS 5000 Forecourt Controller cabinet, remove the cover plate protecting the CPB and locate the sealing socket.
2. Orientate the sealing plug as shown in left picture and insert it in the socket.
3. Affix a tamper-proof label to the sealing plug as shown in right picture. This acts as a visual check to ensure that the sealing plug has not been removed.
4. Fit the cover plate on the CPB and secure it using the 4 screws.
5. Perform a Soft Reset or power down and then power up the PSS 5000 Forecourt Controller to activate the sealing.
6. Verify that the sealing is active by using the Service Menus to do one of the following:
  - For LAM versions 1.xx, select 1.2.2 Sealing Switch and make sure that the parameter Hardware Sealing Switch is set to ON.
  - For LAM versions 2.xx, select W.2 LAM PARAMETERS and make sure that the parameter LAM\_DATA\_SEALED is set to YES.

#### Inspection of sealing:

1. Open the door on the PSS 5000 Forecourt Controller cabinet and locate the sealing plug spy hole.
2. View the tamper-proof label and make sure it is still present and intact.

# Parts Certificate

Certificate for a part of a measuring system for LOTW

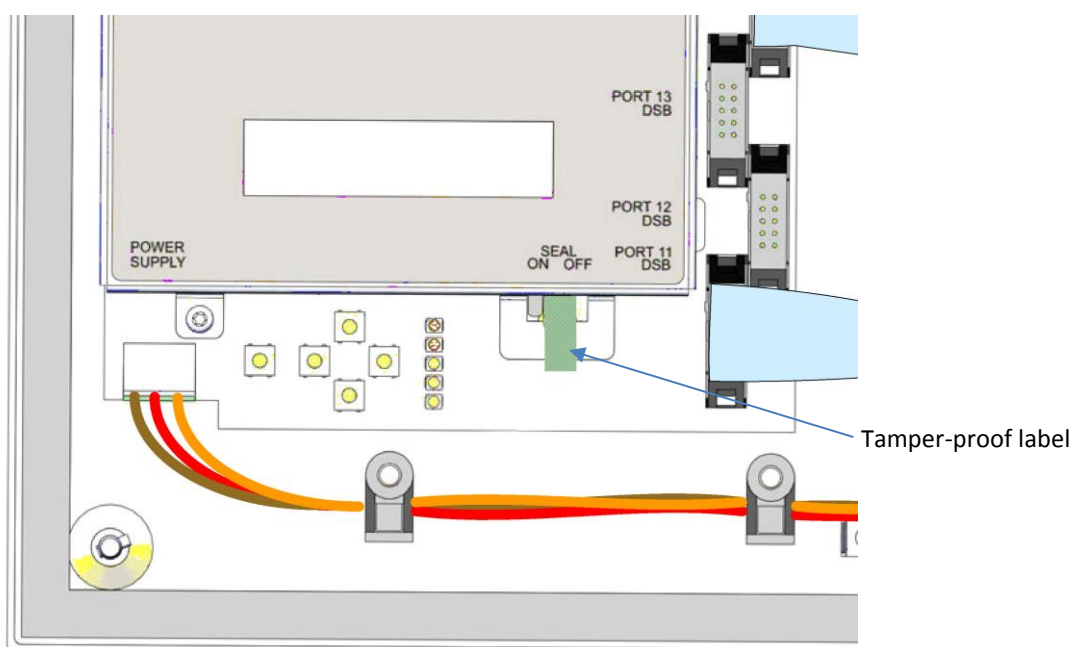
No. SC0257-15 Appendix

## 6.1 b Sealing of Systems with CPB539

The forecourt controller is sealed. The seal has to be broken before the PSS Manager or LAM can be uploaded.

### To seal the PSS 5000

1. Open the door on the PSS 5000 cabinet, remove the 6 screws that secure the cover plate protecting the CPB.
2. Slide the Sealing switch from the OFF position to the ON position.
3. Replace the cover panel and secure it with the 6 securing screws.
4. Affix a tamper-proof label to the sealing switch and the securing screw as shown below.



This acts as a visual check to ensure that the sealing switch has not been moved.

5. Perform a Soft Reset or power down and then power up the PSS 5000 Forecourt Controller to activate the sealing.
6. Verify that the sealing is active by using the PSS Web Application to select A.2 LAM Parameters and make sure that the parameter LAM\_DATA\_SEALED is set to YES.

### Inspection of sealing:

1. Open the door on the PSS 5000 Forecourt Controller cabinet and locate the sealing switch.
2. View the tamper-proof label and make sure it is still present and intact.

# Parts Certificate

Certificate for a part of a measuring system for LOTW

No. SC0257-15 Appendix

## 6.2 Data logger

PSS 5000 acts as memory device for unattended delayed payment with cards. It is also used for temporary storage (sale stacking). See 1.2 for details of which LAM that supports this.

## 7 Labelling and inscriptions

### 7.1 Information to be borne by and to accompany the instrument

The marking plate/label mounted on the device shall contain the following information:

- the name and address of the manufacturer
- the serial number of the forecourt controller and year of manufacture
- the designation or type name
- the Parts Certificate number, **SC0257-15**, of the forecourt controller
- the ambient temperature range
- mechanical class
- electromagnetic class
- place for identification of the connected fuel dispenser(s),  
(alternatively use PSS Web online list)
- place for the verification sticker

### 7.2 Conformity marking in accordance to MID article 17

This Evaluation Certificate is not an EC-type examination Certificate. Therefore the forecourt controller must **not** be marked with the supplementary metrology marking "M xx", following the CE marking.

### 7.3 Further inscriptions, if necessary

No special requirements identified.

### 7.4 Evaluations carried out for this Parts Certificate

The evaluation under this certificate is recorded in Evaluation Report 5P00126-1 (referring to test and examinations in test report 5P00125-1, 5P00125-2, 5P00125-3, 5P00125-01 and 5P07853-03). A summary of the evaluation under this certificate is given below.

Description	+	-	Remarks
Relevant parts of the checklist R117-1	*		5P00125-1 5P00125-2 5P00125-3

Extension	Description	+	-	Remarks
Type P	Requirements on basic configuration	*		5P00125-01, 5P07853-03
Type U	Requirements on basic configuration	/	/	---
Extension L	Requirements on data storage	*		5P00125-01, 5P07853-03
Extension T	Requirements on interfaces	*		5P00125-01, 5P07853-03
Extension S	Requirements on software separation	*		5P00125-01, 5P07853-03
Extension D	Requirements on software download	*		5P00125-01, 5P07853-03
Extension I	Specific software requirements	/	/	---